



Suits most TV screens from 10" to 26"



* Attention. If your TV requires a VESA pattern of 200 x 100mm, an adaptor plate is available upon request - at no additional charge.

Note. Adaptor must be ordered and shipped with the main mounts(s) to be FOC.

Screens 10-26" 26-66cm

Up to 200x100mm* VESA

Weight Capacity 15kg

BLACK

TEN YEAR WARRANTY 10

VLC-303

ARTICULATED TV WALL MOUNT

- Full Motion Adjustment:
Swivels up to 180° and Tilts from ±45°
- Extends from wall up to 370mm
- Adjustable reach
- Three Pivot Arm
- Easy installation

See over page for detailed product information

VLC-303

Articulated TV Wall Mount

Features

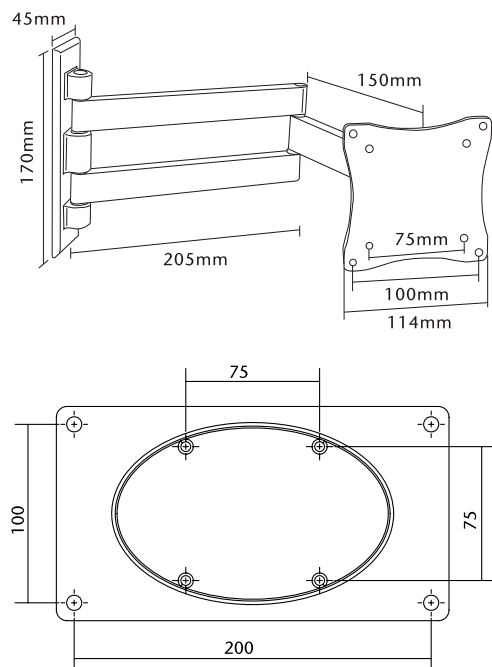
Enjoy the many features of mounting your Ezymount Red flat panel screen to the wall. Ideal for both private homes and commercial premises alike. Easy to install, the VLC-303 comes fully assembled. Complete with an elegant combination of three arms and tilt and swivel adjustments, the VLC-303 allows the screen to be viewed at the optimum angle from any position.

Strong and Attractive. Easily attaches to most 10" to 26" (26 to 66cm) LED/LCD screens weighing up to 15kgs using the supplied hardware kit and without the need for special tools. Solid die cast aluminium construction is powder coated in an attractive black finish. The unobtrusive design fits easily into any environment.

Quality. Ezymount Red VLC-303 wall mount is made from quality materials and is covered by a ten year warranty.

Package includes

Wall mount plate assembled with adjustable reach tilting screen plate, quality mounting hardware and installation instructions.



Specifications

Colour	Black
Capacity	15kg
Screen sizes	10" to 26" (26 to 66 cm)
Tilt Range	±45°*
Horizontal Swivel	180° (90° both left & right)*
Mounting screw hole pattern	VESA: 75x75, 100x100 and 200x100mm* compliant. * Using available adapter. Please request at time of ordering
Distance of TV from Wall	50mm – 370mm
Retracted offset	60mm

* Degree of swivel and tilt may be affected by the size of your TV.

Available: 200 x 100mm 'VESA' adaptor plate available FOC to allow fitment of screens using this mounting hole pattern.

Notes:

1. Do not use the available adaptor plate if your TV screen mounting holes conform to those on the main bracket. i.e. 100 x 100mm or less.

2. If your TV, regardless of its screen size, weighs less than the weight capacity stated here, and the location of its mounting screw holes correspond with those listed, then this mount is suitable for your TV.

Screens
10-26"
26-66cm

Up to
200x100mm*
VESA

Weight
Capacity
15kg

BLACK

