

Suits most
TV screens from
32" to 55"

Screens
32-55"
81-140cm

Up to
400x400mm
VESA

Weight
Capacity
75kg

BLACK

TEN YEAR
10
WARRANTY

VM-T140

TILTING TV WALL MOUNT

- Super strong construction
- Tilt range -15° to +15° for added versatility
- Anti-theft secure mounting
- Easy installation

See over page for detailed product information

VM-T140

Tilting TV Wall Mount

Features

Easy Tilting. The screen can be adjusted $\pm 15^\circ$ to achieve the optimum viewing angle[#]. Simply loosen the two twist handles, tilt the screen as desired and re-tighten the handles. Other tilt mounts require you to choose from a small number of set positions. But the Venturi VM-T140 Wall Mount's unique tilting system allows infinite adjustment within the entire tilting range.

([#] Tilt range can be affected by larger screen sizes)

Anti Theft Secure Mounting. A unique securing method is employed to ensure the screen cannot be removed by unauthorised persons. Once the screen is positioned on the wall-plate a discrete locking rod slides neatly between the mounting rails and the wall-plate. Once in place a padlock (not included) can be fitted to the end of the locking rod making removal of the screen virtually impossible.

Universal. Easily attaches to most 32" to 55" (81 to 140cm) TV screens weighing up to 75kgs using the supplied hardware kit and without the need for special tools.

Strong and Attractive. Heavy gauge steel construction is powder coated in an attractive black finish. The stylish and unobtrusive design fits easily into any environment.

Quality. The Ezymount VM-T140 Wall Mount is made from quality materials and is covered by a ten year warranty.

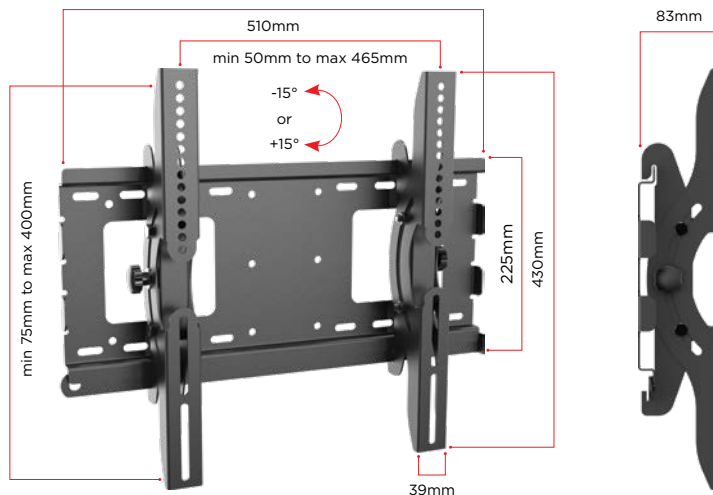
Package includes

Two universal tilting mounting rails, locking rod, wall mounting plate, mounting hardware and assembly instructions.

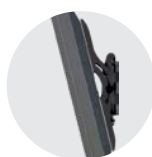
Specifications

| | |
|------------------------------------|--|
| Colour | Black |
| Weight Capacity | 75kg |
| Screen sizes | 32" to 55" (81cm to 140cm) |
| Tilt Range | $\pm 15^\circ$ (Tilt range can be affected by larger screen sizes) |
| Mounting screw hole pattern | VESA: 400 x 400mm |
| Distance of TV from wall | 83mm |
| Dimensions | 510(H) x 430(W) x 83(D)mm |

Note: If your TV, regardless of its screen size, weighs less than the weight capacity stated here, and the location of its mounting screw holes correspond with those listed, then this mount is suitable for your TV.



ANTI-THEFT



TILTS UP TO +15° TILT



TILTS UP TO -15° TILT



Screens
32-55"
81-140cm

Up to
400x400mm
VESA

Weight
Capacity
75kg

BLACK

