

## SOUND 4201 Speaker Wall Mount for SONOS PLAY:1 (black)

Article number (SKU) 8152010  
 Colour Black

### Key benefits

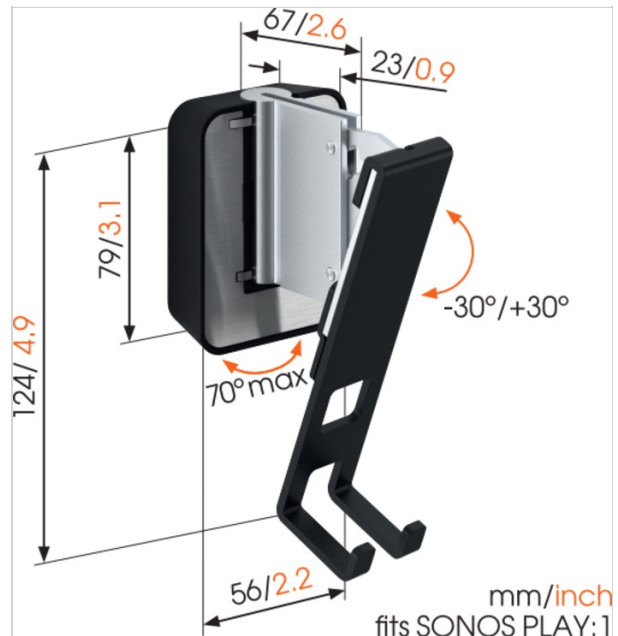
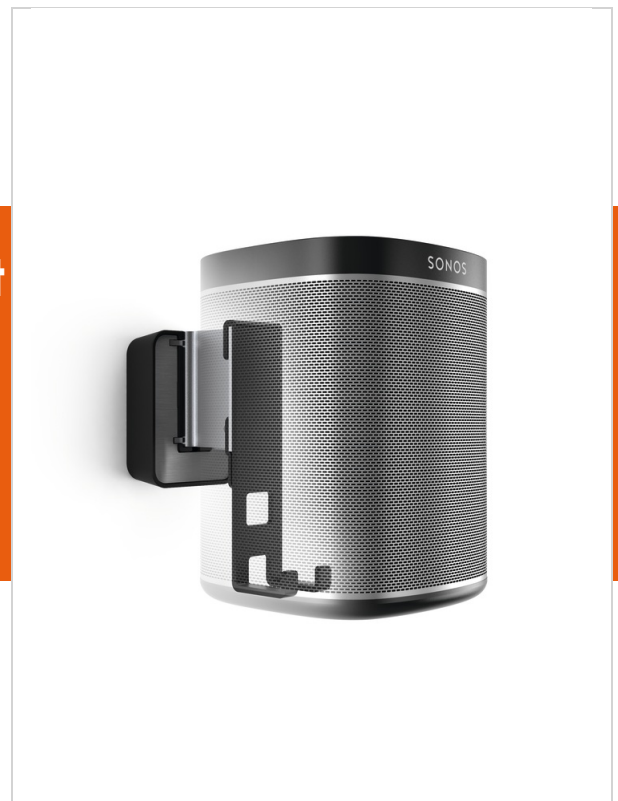
- Create the best listening position
- Easily adjust your speaker angle with one hand
- Integrated spirit level

### Get more out of your Sonos PLAY:1

Integrate your Sonos PLAY:1 speaker seamlessly into your interior design by mounting it anywhere on your wall with the Vogel's SOUND 4201 wall bracket. Mount the bracket high or low, out of sight or in plain view - the wide turn (70°) and tilt (30° up and down) capacity make sure that you can always angle your speaker to sound best. This low-profile speaker bracket provides secure support for your Sonos PLAY:1 and comes in black or white to match the colour of your speaker. Installing the bracket perfectly straight is a breeze, thanks to the integrated spirit level.

### Angle your speaker so it sounds best

The Vogel's wall mount for your Sonos PLAY:1 helps you save space while still creating the best listening position. Easily adjust your speaker angle with one hand, and immerse yourself in music like never before. Are you looking for more positioning flexibility, without drilling holes? Vogel's also offers a floor stand for Sonos PLAY:1. Vogel's speaker wall mounts and floor stands are also available for Sonos PLAY:3 speakers.



# SOUND 4201 Speaker Wall Mount for SONOS PLAY:1 (black)



VOGEL'S HOLDING BV 2017 (c) All rights reserved  
Subject to printing errors, technical and price  
amendments  
Date: 15-05-2017

[www.vogels.com](http://www.vogels.com)

## Specifications

### Product specifications

Product type number	SOUND 4201
Article number (SKU)	8152010
Colour	Black
EAN single box	8712285329623
TÜV certified	Yes
Tilt	Tilt -30°/+30°
Turn	Up to 70°
Guarantee	5 years

### Technical specifications and dimensions

Speaker product size	PLAY:1
----------------------	--------

