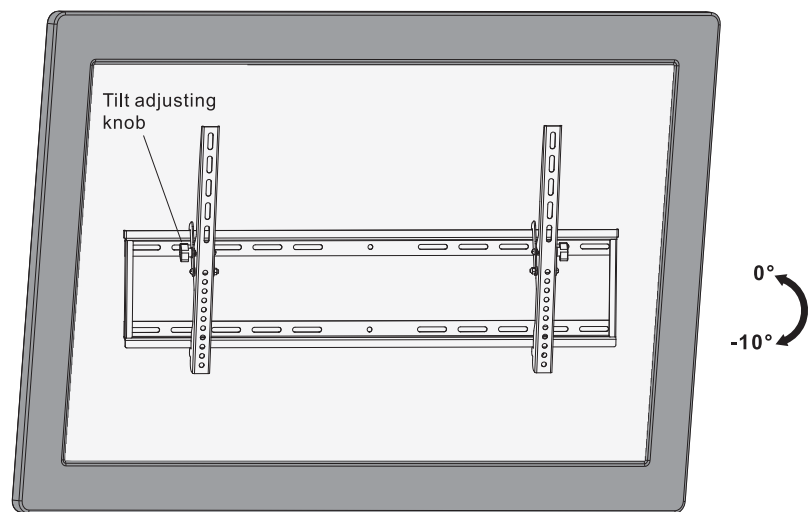




4. Adjustment



Use the tilt adjusting knobs to adjust your TV to the desired angle.

Maintenance
→ Check that the bracket is secure and safe to use at regular intervals (at least every three months).
→ Please contact your local distributor if you have any questions.

EZYmount

CANOHM

4/30 Prohasky Street
Port Melbourne, Victoria
3207 Australia

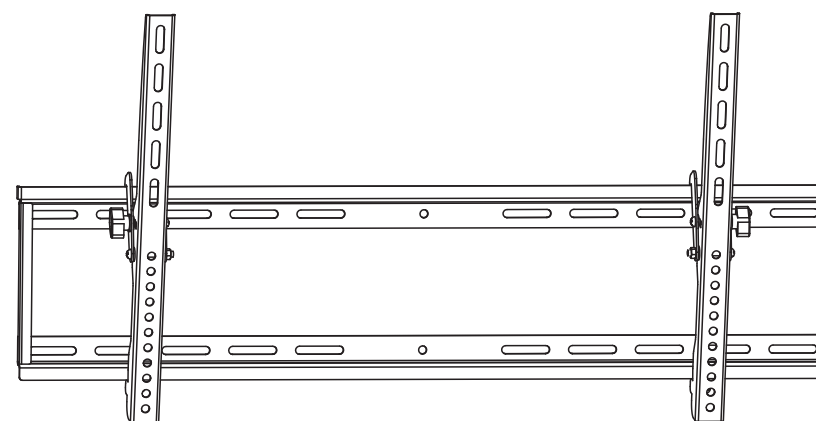
Telephone 03 9644 7888
Facsimile 03 9646 7366
Email sales@canohm.com.au
www.canohm.com.au

Please dispose of this packaging in a responsible manner – recycle cardboard/plastic wherever possible.

EZYmount

Installation Instructions

Tilting Wall Mount



CAUTION: DO NOT EXCEED THE MAXIMUM STATED WEIGHT CAPACITY. SERIOUS INJURY OR PROPERTY DAMAGE MAY OCCUR!

SLT-910	400x200 / 400x400 600x400 / 800x400	80" MAX	70kg
----------------	--	---------	------



NOTE: Please read the entire instruction manual before you start installation and assembly

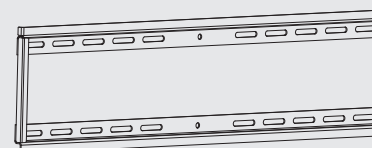
WARNING

- Do not commence installation until you have read and understood the instructions and warnings contained in this installation sheet. If you have any questions regarding any of the instructions or warnings, please contact your place of purchase.
- This mounting bracket was designed to be installed and utilised ONLY as specified in this manual. Improper installation or use of this product may cause damage or serious injury.
- This product should only be installed by someone of good mechanical ability, with basic building experience and full understanding of this manual.
- Make sure that the supporting surface (i.e. wall) will safely support the combined load of this bracket and all attached hardware (TV) and components.
- If mounting to timber wall studs, make sure that the mounting screws are anchored into the centre of the studs. Use of a stud finder is highly recommended.
- Always use an assistant or mechanical lifting equipment to safely lift and position equipment.
- Tighten screws firmly, but do not over tighten. Over tightening can cause damage, greatly reducing their holding power.
- This product is intended for indoor use only. Using this product outdoors could lead to product failure and personal injury.

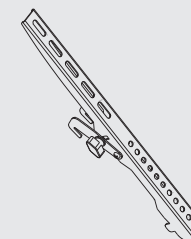


Component Checklist

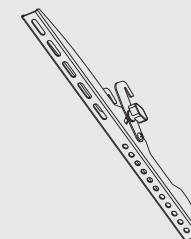
IMPORTANT: Ensure that you have received all parts according to the component checklist prior to installation. If any parts are missing or faulty, contact your local distributor for assistance.



Wall plate (x1)
A



Left adapter
bracket (x1)
B



Right adapter
bracket (x1)
C

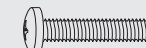
Package M



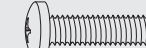
M5x14 (x4)
M-A



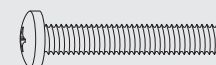
M6x14 (x4)
M-B



M6x30 (x4)
M-C



M8x30 (x4)
M-D



M8x50 (x4)
M-E



washer (x4)
M-F



small spacer (x8)
M-G



big spacer (x8)
M-H

Package W



ST6.3x55 (x6)
W-A

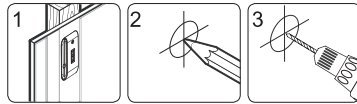
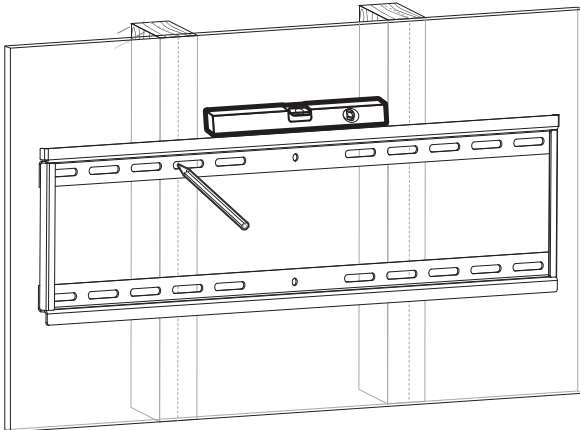
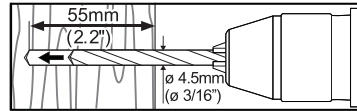
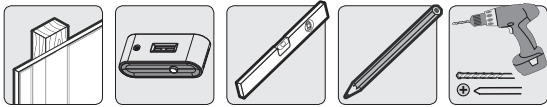


Concrete anchor (x6)
W-B



D8 washer (x6)
W-C

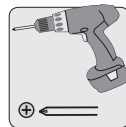
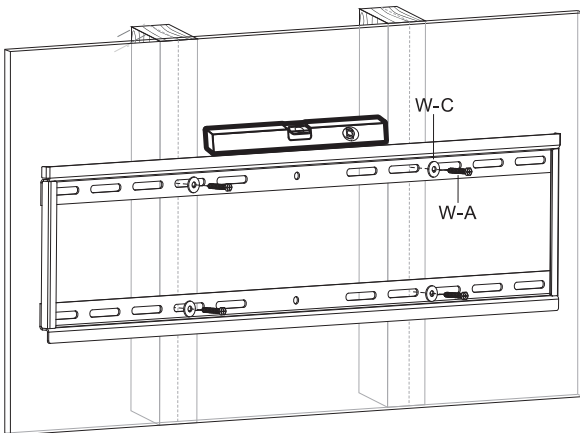
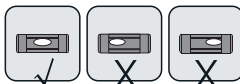
1a. Mounting on Timber Stud Walls



1 Find and mark the exact location of mounting holes.

2 Drill pilot holes.

3



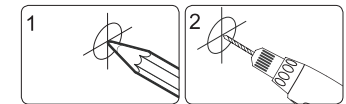
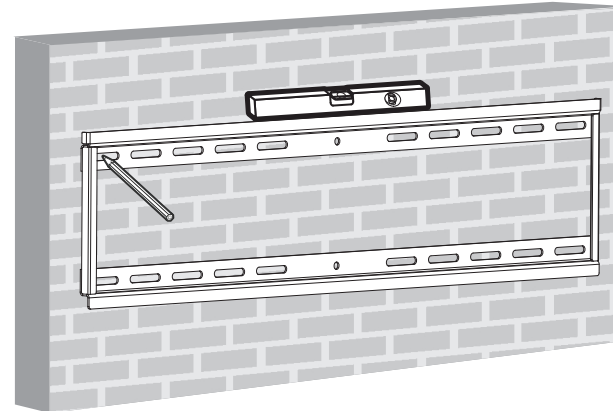
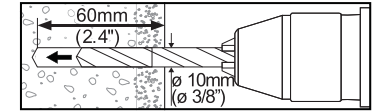
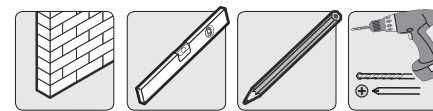
Screw the wall plate onto the wall.

! WARNING

- Make sure that mounting screws are anchored into the centre of the studs. Use of a stud finder is highly recommended.
- Installers are responsible to provide hardware for other types of mounting situations.
- The installer must verify that the supporting surface will safely support the combined load of the equipment and all attached hardware (TV) and components.

3 <<<

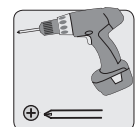
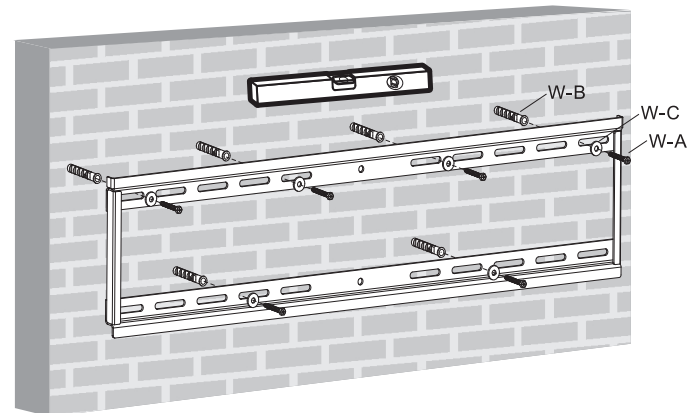
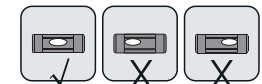
1b: Mounting on Solid Brick and Concrete Block



1 Mark the exact location of mounting holes.

2

Drill pilot holes.



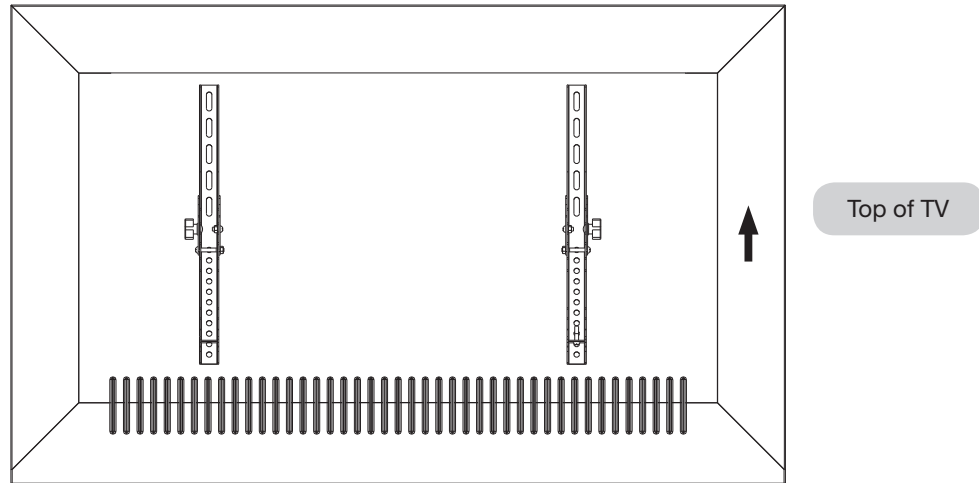
Screw the wall plate onto the wall.

! WARNING

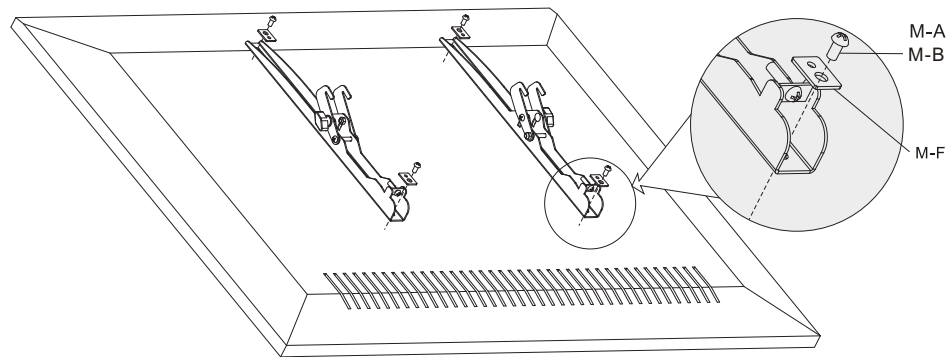
- When installing wall mounts on cinder block, verify the actual concrete thickness is at least 35mm for using the concrete anchors. Do not drill into mortar joints! Be sure to mount in a solid part of the block, generally 25mm minimum from the side of the block. It is suggested to use the electric drill on a slow setting to drill the hole instead of a hammer drill to avoid breaking out the back of the hole when entering a void or cavity.
- The installer must verify that the supporting surface will safely support the combined load of the equipment and all attached hardware (TV) and components.

>>> 4

2. Attach Adapter Brackets



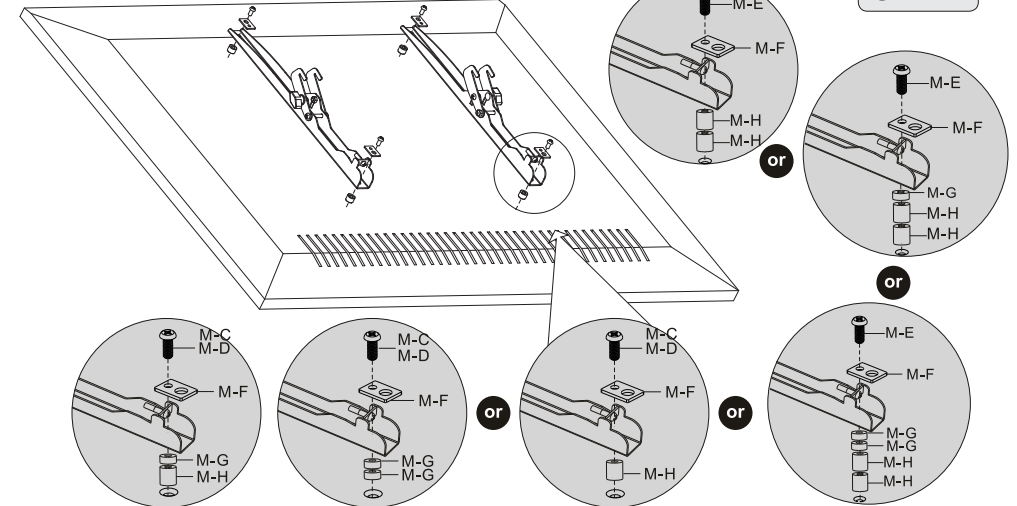
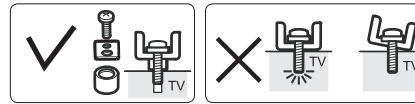
2.1



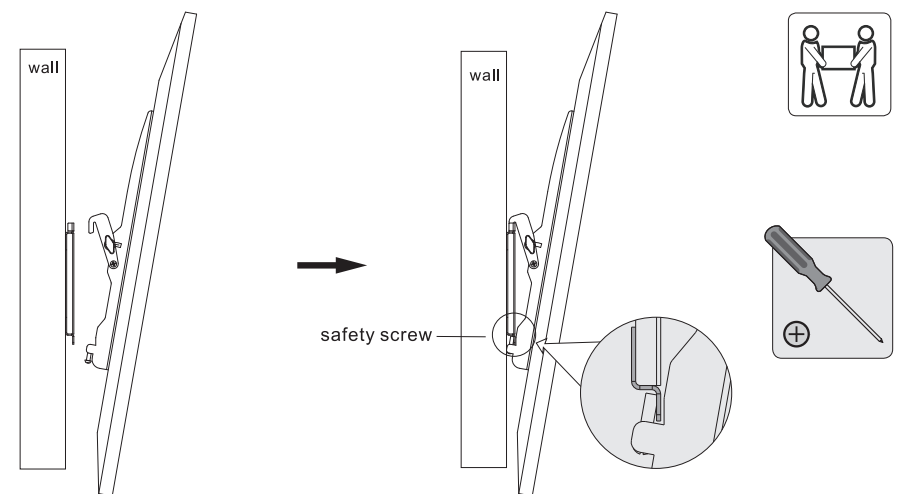
- Position the adapter brackets as close as possible to the middle of the screen.
- Ensure the Tilt Adjusting Knobs are located on the outside of the rails.
- Screw the adapter brackets onto the TV.
- ⚠ Tighten all screws, but do not over tighten.

5

2.2



3. Hang TV on the Wall Plate



Hook the TV onto the upper ridge of the wall plate. Tighten the safety screws using a Phillips screwdriver to secure the TV to the lower ridge of the wall plate.

Important: Make sure the TV is correctly hooked onto the wall plate and the safety screws are locked safely before releasing the TV.

6