

TELESCOPIC TV CEILING MOUNT



Swivels up to 180°

Tilt range +/-20°

Flat ceiling plate with cover

Extends from 608mm to 858mm

Cable management

SUITS MOST
TV SCREENS
10 TO 43
INCHES
25 TO 109 CM

WEIGHT
CAPACITY
30kg

VESA
UP TO
200 x 200
MM

COLOUR
BLACK



TELESCOPIC TV CEILING MOUNT

FEATURES

Ceiling Mount for LCD Screens with tilt, adjustable length pole and cable management.

Enjoy the many benefits of mounting your flat panel screen on the ceiling. A single elegant pole, which also conceals the cables, is all you will see behind your screen. Ideal for both private homes and commercial premises alike. Easy to install and adjust to your desired height.

Easily attaches to most 10" to 43" (25 to 109cm) LCD screens weighing up to 30kgs using the supplied hardware kit and without the need for special tools.

STRONG AND ATTRACTIVE.

Heavy gauge steel construction is powder coated in an attractive black finish. The stylish and unobtrusive design fits easily into any environment.

QUALITY.

The Ezymount VCL-100 Wall Bracket is made from quality materials and is covered by a ten year warranty.

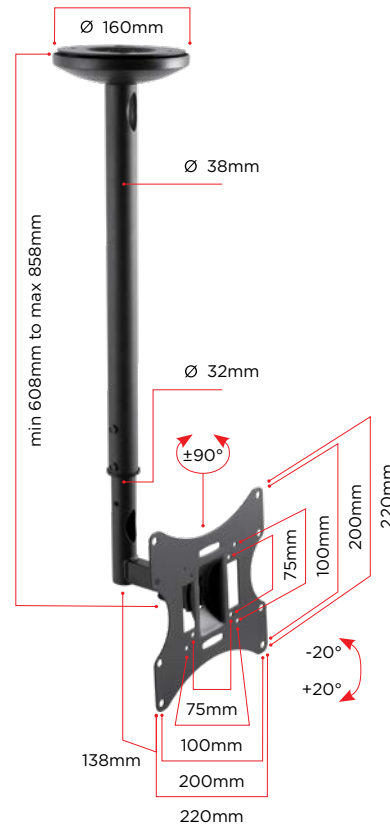
PACKAGE INCLUDES

Ceiling mount plate, plastic ceiling plate cover, adjustable length pole, tilting interface (max VESA 200x200mm), mounting hardware and installation instructions.

SPECIFICATIONS

COLOUR	Black
WEIGHT CAPACITY	30kg
SCREEN SIZES	10" to 43" / 25cm to 109cm
TILT RANGE	±20° (Tilt range can be affected by larger screen sizes)
SWIVEL RANGE	180°
MOUNTING SCREW HOLE PATTERN	VESA: 200x200, 200x100, 100x100 and 75x75mm compliant
HEIGHT ADJUSTMENT	Min. 608mm to Max. 858mm in 50mm increments
CEILING PLATE DIAMETER	150mm
CEILING PLATE COVER DIAMETER	160mm

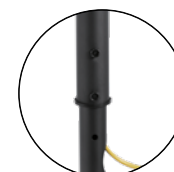
NOTE: If your TV, regardless of its screen size, weighs less than the weight capacity stated here, and the location of its mounting screw holes correspond with those listed, then this mount is suitable for your TV.



CABLE MANAGEMENT



TOP



BOTTOM



CANOHM

4/30 Prohasky Street,
Port Melbourne
Victoria 3207

Telephone: 1800 636 026
Email: sales@canohm.com.au
ezymount.com.au